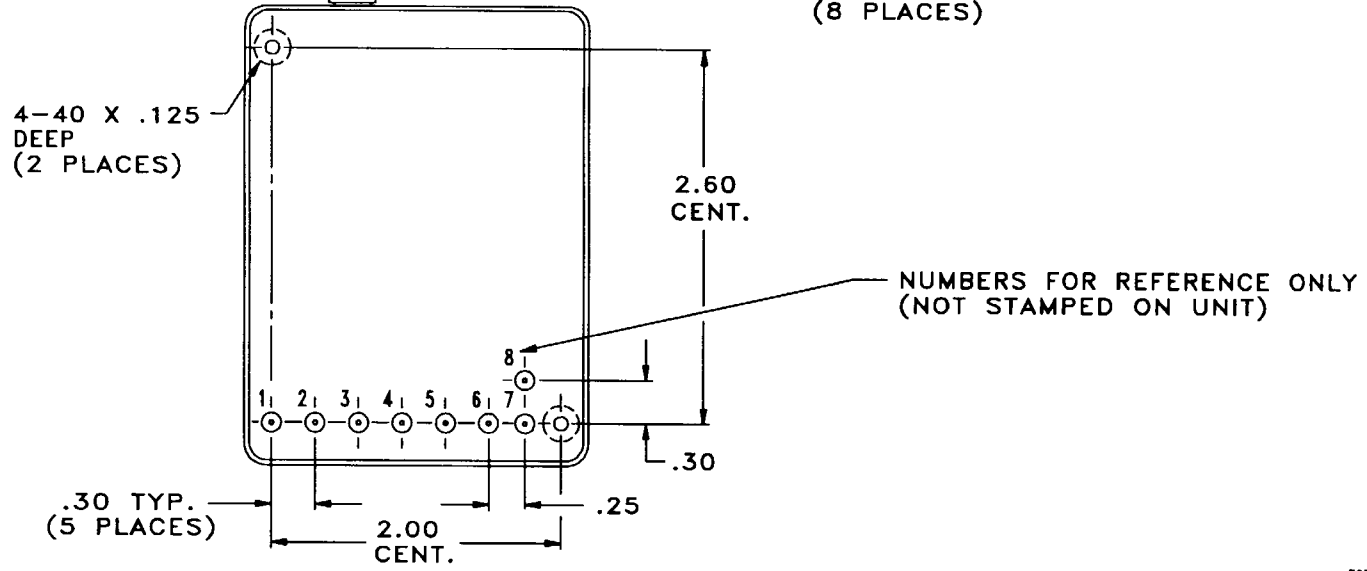
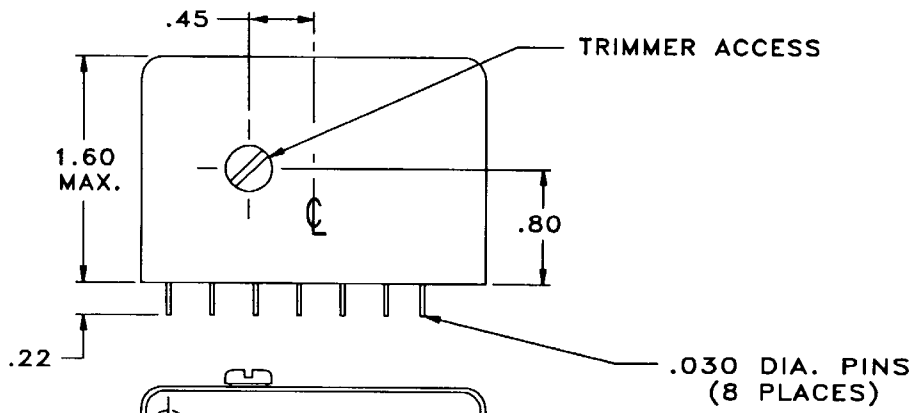


PIN CONNECTIONS	
PIN	FUNCTION
1	NO CONNECTION
2	R. F. OUTPUT
3	0 VDC
4	+ VDC
5	VCO INPUT
6	0 VDC
7	REFERENCE VOLTAGE
8	OVEN MONITOR

NOTE: PIN 3 CONNECTS TO CASE THRU .01μF CAPACITOR



FORM NO. 120-081A

		OSCILLATORS		CHARLOTTESVILLE, VIRGINIA			
NAME: OUTLINE DRAWING		CODE I.D. NO.	SCALE	DWN. BY	DATE	APPR'D.	
OCXO 118 SERIES		31785	.75:1	LMH	10-08-92	WCB	
TOLERANCES							
UNLESS OTHERWISE SPECIFIED:							
ANGLES: ±1 DEGREE							
FRACTIONS: ±1/32 INCH							
DECIMALS: .XX ±.015, .XXX ±.010							
MAT'L: COLD ROLLED STEEL							
FINISH: BRIGHT NICKEL							
MARK: LABEL							
LET	REVISION	BY	DATE				

DWG. No.: 125-415  
 SHT. 1 OF 1