

APPLICATIONS

PCS Base Stations
Cellular Base Stations
Digital Switching
Bench Reference
Test Equipment

FEATURES

Excellent Temperature Stability
Very Low Aging
Fast Warm-Up
SC-Cut Crystal

4 – 30 MHz

Model	Output	Supply Voltage	Temperature Range with Stability			Reference Voltage	Frequency
			(°C)	Good	Best		
4834	8 (dBm Sine)	12 (12 Volts)	B (0 to +50)	59 ($\pm 5 \times 10^{-9}$)	39 ($\pm 3 \times 10^{-9}$)	R (8 Volts)	4 – 30 MHz
			C (0 to +70)	79 ($\pm 7 \times 10^{-9}$)	49 ($\pm 4 \times 10^{-9}$)	N (N/C)	
	H (HCMOS) ²	D (-20 to +70)	18 ($\pm 1 \times 10^{-8}$)	59 ($\pm 5 \times 10^{-9}$)			
		H (-55 to +75)	38 ($\pm 3 \times 10^{-8}$)	18 ($\pm 1 \times 10^{-8}$)			

ADDITIONAL PARAMETERS

Yearly Aging³: ± 0.030 ppm max
Daily Aging¹: $< \pm 5 \times 10^{-10}$ after 72 hours
Supply Voltage: $+12 \text{ V} \pm 5\%$
Power Consumption: $1.5 \text{ W} @ 25^\circ\text{C}$ steady state
Warm-up Power: 10 W
Warm-up Time: To within ± 0.01 ppm of final frequency in 5 min. @ 25°C

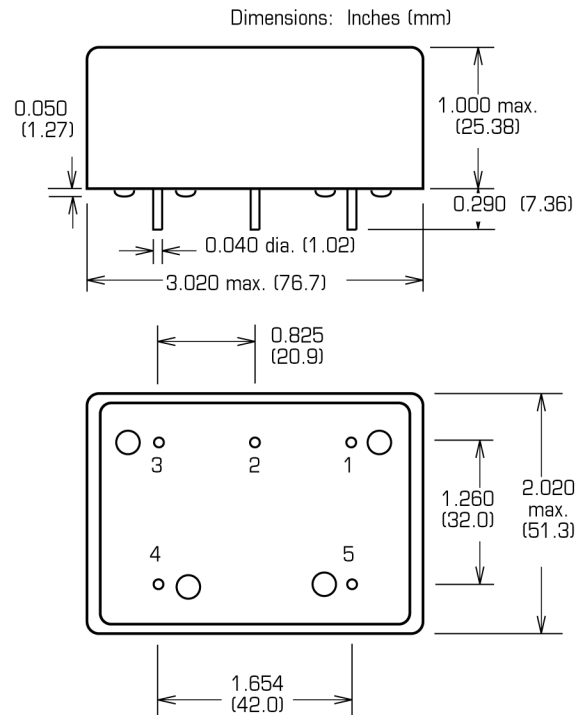
Electrical Frequency Control
Deviation: ± 0.4 ppm Typ., (sufficient for 15 yrs.)
Voltage Range: 0 to 8V
Slope: Negative

SINEWAVE OPTIONS

Harmonics: -30 dBc
Load: 50 ohms
Output Level: $+8 \text{ dBm}$ min.
(Available from $+3 \text{ dBm}$ to $+12 \text{ dBm}$)

PHASE NOISE	@ 5 MHz	@ 12 MHz
1 Hz Offset	-80 dBc/Hz	-80 dBc/Hz
10	-120	-120
100	-140	-135
1K	-150	-140
10K	-155	-140

¹ Typical Values at 5 MHz. ² HCMOS can drive TTL, ACMOS, HCMOS and CMOS.
³ Low aging option available. Contact factory for details.



PIN CONNECTIONS

- 1 – GND/Case GND
- 2 – EFC
- 3 – Reference Voltage Output or N/C
- 4 – Supply Voltage
- 5 – RF Output